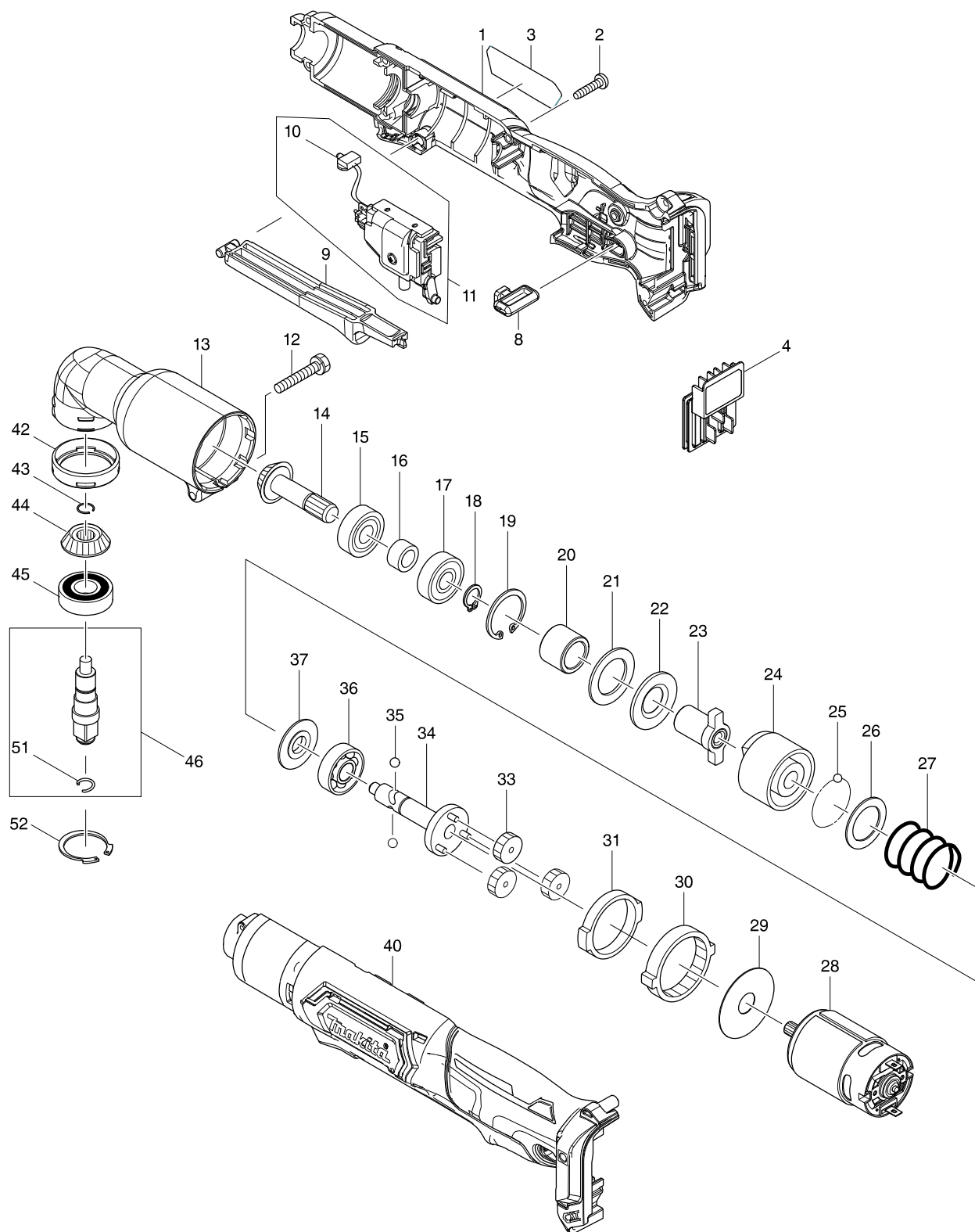


Model TL065D CORDLESS ANGLE IMPACT WRENCH



Model TL065D CORDLESS ANGLE IMPACT WRENCH

Strana 1 / 2

Položka	Objednávacie	Popis	I/C	ks	N/O	Možnosť 1	Možnosť 2	Poznámka
001	183G43-0	HOUSING SET		1				
C10	252126-6	HEX. LOCKING NUT M4-7		2				
D10		INC. 40						
002	266130-9	SKRUTKA SAMOREZNÁ BIND3X16		8				
003	853H05-5	TL065D NAME PLATE		1				
004	644813-5	TERMINAL		1				
008	450126-2	FR CHANGE LEVER		1				
009	450125-4	SWITCH LEVER		1				
010	620690-9	LED CIRCUIT		1				
011	632K57-5	SWITCH UNIT		1				
D10		INC. 10						
012	265409-5	+ HEX. BOLT M5X30		1				
013	152461-1	ANGLE HEAD COMPLETE		1				
014	226720-0	ZEROL BEVEL GEAR 13		1				
015	210067-2	LOŽISKO GULIČKOVÉ MT240/953		1				
016	257428-5	SLEEVE 10		1				
017	210067-2	LOŽISKO GULIČKOVÉ MT240/953		1				
018	961006-2	POISTNY KRUZOK S-10		1				
019	962105-3	POISTNY KRUZOK R-26 962105-3		1				
020	257429-3	SLEEVE 15		1				
021	261095-0	RUBBER WASHER 21		1				
022	267120-5	FLAT WASHER 15		1				
023	322689-7	ANVIL		1				
024	322688-9	HAMMER		1				
025	216001-0	GULKA OCEĽOVÁ 3,5		22				
026	267121-3	PODLOŽKA 20 6940DW/HR4000C		1				
027	233107-9	COMPRESSION SPRING 22		1				
028	629273-2	DC MOTOR		1				
029	267053-4	FLAT WASHER 12		1				
030	226280-2	INTERNAL GEAR 69		1				
031	257187-1	RING 32		1				
033	226279-7	SPUR GEAR 29		3				
034	154416-2	SPINDLE COMPLETE		1				
035	216002-8	GULKA OCEĽOVÁ 4,8		2				
036	211472-6	BALL BEARING 6000		1				
037	322719-4	WASHER 10		1				
040	183G43-0	HOUSING SET		1				
C10	252126-6	HEX. LOCKING NUT M4-7		2				
D10		INC. 1						
042	424044-0	RUBBER RING 32		1				
043	231990-8	RING SPRING 9		1				
044	226721-8	ZEROL BEVEL GEAR 13		1				
045	211131-2	LOŽISKO GULIČKOVÉ 6001DDW		1				
046	135899-5	SPINDLE ASS'Y		1				
D10		INC. 51						
051	231964-9	RING SPRING 7		1				
052	962116-8	RETAINING RING R-28		1				
A01	266622-8	+ TRUSS HEAD SCREW M4X12		1				

